

# motronic

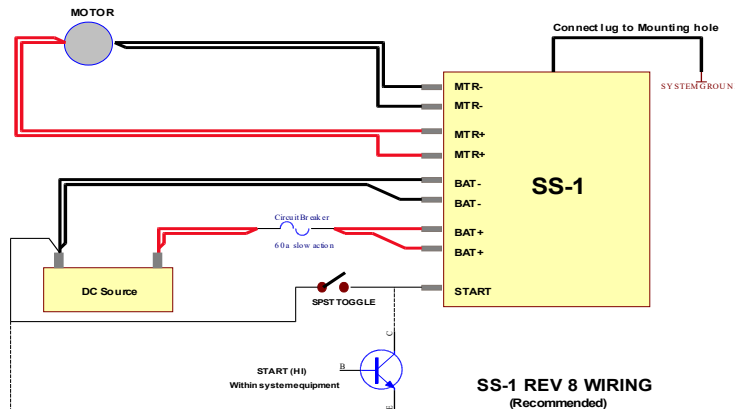
P/L ABN 58 007 348 849  
Page 1 of 1

## SS-1 DC SOFT STARTER FOR PERMANENT MAGNET MOTORS

**INSTALL NOTE FOR REV 8 and subsequent Revisions**  
(see User Manual Rev 9 for information about operating in T-ambient>50deg)



**(new body Rev 8 and subsequent style)**



**\*\* Motor Polarity.** If Replacing a previous Revision (old body style) With Rev 8 and after, the motor polarity is reversed from all preceeding versions.

Pre Rev 8 bodies are shown below. Rev 8 and after bodies are shown above in this note. The installer must determine the correct polarity for the operation of the unit in the OEM equipment.



Rev 1-7 old style